

KMS WINEFILTER™ MF 6" HOLLOW FIBER CARTRIDGES

Hollow Fiber Crossflow Microfiltration Cartridges for Wine Filtration

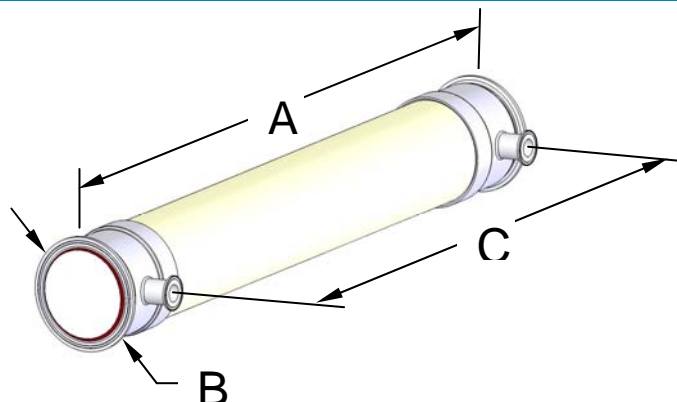
PRODUCT DESCRIPTION	Membrane Type:	Microfiltration
	Membrane Material:	Polyethersulfone
	Pore Size:	Microporous
	Regulatory Status:	Conforms to FDA regulations (CFR Title 21)
	Housing Construction:	Polysulfone shell and end caps
	Storage Solution:	Glycerin

SPECIFICATIONS	Part Number	Model	Active Membrane Area		Fiber Inside Diameter	
			ft ²	(m ²)	mil	(mm)
	0720268	WINEFILTER MF 6043	105	9.8	52	1.3
	0720270	WINEFILTER MF 6060	150	13.9	52	1.3

OPERATING & DESIGN INFORMATION*	Recommended Inlet Pressure:	20-30 psi (1.4-2.1 bar)
	Maximum Transmembrane Pressure:	25 psi (1.7 bar)
	Maximum Feed Side Pressure Drop:	25 psi (1.7 bar)
	Maximum Backflush Pressure:	20 psi (1.4 bar)
	Maximum Operating Temperature:	104°F (40°C) @ pH 6
	Maximum Cleaning Temperature:	122°F (50°C)
	Allowable pH (Cleaning):	1.5 – 13.0 @ 104° F (40°C)

*Consult KMS Industrial Process Technology Group for specific information

NOMINAL DIMENSIONS



Model	A	B	C	Permeate Connection	Process Connection
	inch (mm)	inch (mm)	inch (mm)		
WINEFILTER MF 6043	43 (1,092)	6.67 (169.4)	38 ¹¹ / ₁₆ (982.7)	1½" sanitary	6" sanitary
WINEFILTER MF 6060	60 (1,524)	6.67 (169.4)	55 ⁵ / ₈ (1,413)	1½" sanitary	6" sanitary

KMS WINEFILTER™ MF 6" HOLLOW FIBER CARTRIDGE

6" HOLLOW FIBER CARTRIDGE HARDWARE

Item	Part Description	KPN
1	6" gasket	0090424
2	6" Process Cap adapter	0040321
3	6" Coupling	1020262
4	2½" Cartridge Gasket	EPDM 0090411 BUNA 0090410
5	2½" Coupling	0210468
6	1" Gasket	EPDM 0090394 BUNA 0090395
7	1" Coupling	0210465

LUBRICANTS

For cartridge installation, use only water or glycerin to lubricate seals. The use of petroleum or vegetable-based oils or solvents may damage the cartridge and will void the warranty.

EXPOSURE TO CHEMICAL OXIDANTS:

Exposure to chemical oxidants for thorough cleaning and sanitization may prove necessary and useful.

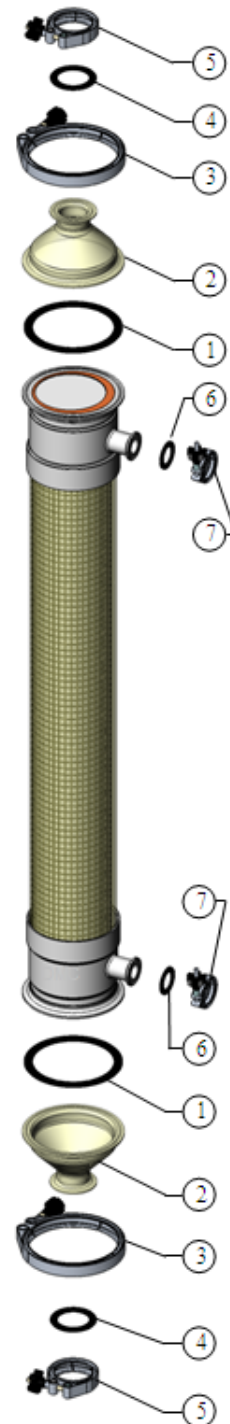
- Chemical oxidants commonly used in food applications include peracetic acid blends, hydrogen peroxide, and sodium hypochlorite. Please consult KMS for recommended addition rates, frequency of use, and tolerance.
- Potassium metabisulfite (without catalyst such as cobalt) is the preferred chemical to eliminate residual chlorine or similar oxidizers prior to processing the feed stream.

KMS CAPABILITY

KMS is the leader in crossflow membrane technology, manufacturing reverse osmosis, nanofiltration, microfiltration, and ultrafiltration membranes and membrane systems. The industries served include food, dairy and beverage, pharmaceutical, biotechnology, water and wastewater, semiconductors, automotive, chemical and general manufacturing. KMS adds value by providing top quality membrane products and by sharing its experience in the design and supply of thousands of crossflow membrane systems worldwide.

SERVICE AND ONGOING TECHNICAL SUPPORT

Koch Membrane Systems, Inc. has an experienced staff of professionals available to assist end-users and OEMs for optimization of existing systems and support the development of new applications. Along with the availability of supplemental technical bulletins, Koch Membrane Systems, Inc. also offers a complete line of KOCHKLEEN® cleaning chemicals



The information contained in this publication is believed to be accurate and reliable, but is not to be construed as implying any warranty or guarantee of performance. We assume no responsibility, obligation or liability for results obtained or damages incurred through the application of the information contained herein. Refer to Standard Terms and Conditions of Sale and Performance Warranty documentation for additional information.

Koch Membrane Systems, Inc., www.kochmembrane.com

Corporate Headquarters: 850 Main Street, Wilmington, Massachusetts 01887-3388, US, Tel. Toll Free: 1-888-677-5624, Telephone: 1-978-694-7000, Fax: 1-978-657-5208
 European Headquarters: Koch Chemical Technology Group Ltd., Units 3-6, Frank Foley Way, Stafford ST16 2ST, GB, Telephone: +44-178-527-2500, Fax: +44-178-522-3149

• San Diego US • Aachen DE • Lyon FR • Madrid ES • Milan IT • Wijnegem BE • Beijing & Shanghai CN • Mumbai & Chennai IN • Melbourne & Sydney AU • SG • Sao Paulo BR • Manama BH •

The FLOW LINES DESIGN and KOCHKLEEN are registered trademarks and WINEFILTER is a trademark of Koch Membrane Systems, Inc. in the US and other countries.

The STYLIZED K is a registered trademark of Koch Industries, Inc. in the US and other countries.

Koch Membrane Systems, Inc. is a Koch Chemical Technology Group, LLC company.

© 2011 Koch Membrane Systems, Inc. All rights reserved worldwide.

04/11 Rev. 11-2