



ABCOR[®] - INDUCOR[™]-G MODULE: 10-HFM-251-ICV

Industrial Multitubular Ultrafiltration Module

PRODUCT DESCRIPTION

Part Number (KPN)	0712501
Membrane Chemistry:	PVDF
Membrane Type:	HFM (neutral charge)
Membrane Area:	15.4 ft ² (1.4 m ²)
Molecular Weight Cut-Off:	100,000 Dalton (nominal)
Construction:	Seven (7) 1" diameter tubules in a PVC shell
Face Plate:	ABS
Gasket:	VITON [®]

OPERATING AND DESIGN INFORMATION*

Maximum Inlet Pressure:	90 psi @ 119 °F (6.2 bar @ 48 °C)
Maximum Operating Temperature:	122°F (50 °C) at 84 psi max
Maximum Permeate Side Back Pressure:	3 psi (0.2 bar)
Minimum Outlet Pressure:	5 psi (0.3 bar)
Maximum Feed Side Pressure Drop:	6.6 psi @ 119 °F (0.4 bar @ 48 °C)
Allowable pH - Continuous Exposure:	2.0 – 10.0 @ 119 °F (48°C)
Allowable pH - Short Term Exposure:	1.5 – 10.5 @ 119 °F (48°C)

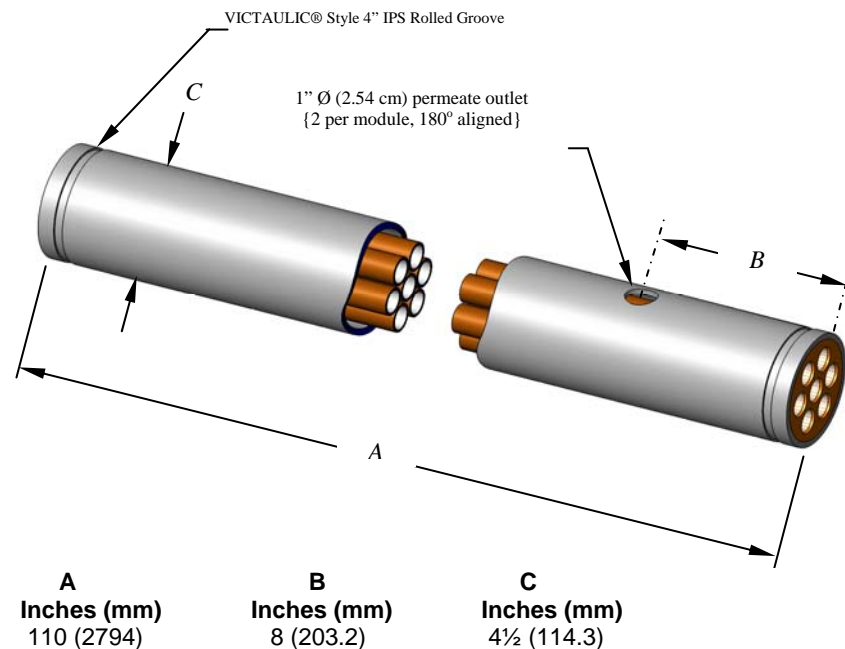
* Consult KMS Industrial Process Technology Group for specific applications.

FEED FLOW VS. PRESSURE DROP*

Circulation Flow	Crossflow Velocity		Pressure Drop		
	gpm	m ³ /hr	f/s	m/s	psi
133	30	7.8	2.4	2.0	0.14
210	48	12.3	3.7	4.3	0.29
266	60	15.5	4.7	6.0	0.41

* Data based on water at 77° F and specific gravity of 1.0.

NOMINAL DIMENSIONS



ANCILLARY PARTS

KMS recommends that these membranes be used with KMS supplied ancillary parts. Sealing is provided by o-rings and gaskets. No additional sealing compound or tape is recommended for use on threaded connections.

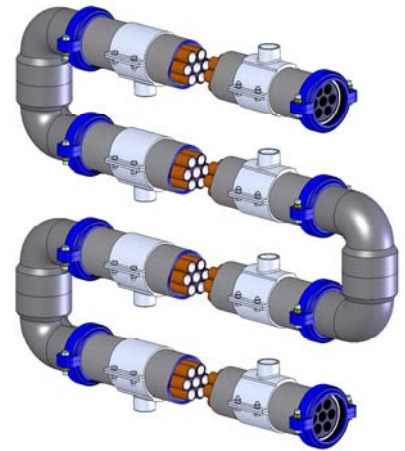
INDUCOR™-G Module Process Pass Kits

- One Process Pass Kit contains;
 - Two Permeate Port Saddle Assemblies
 - Two 4" Coupling Assemblies

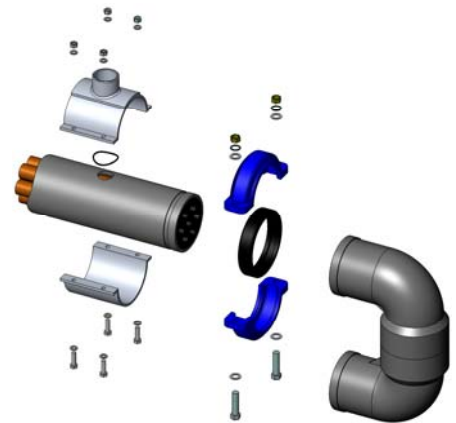
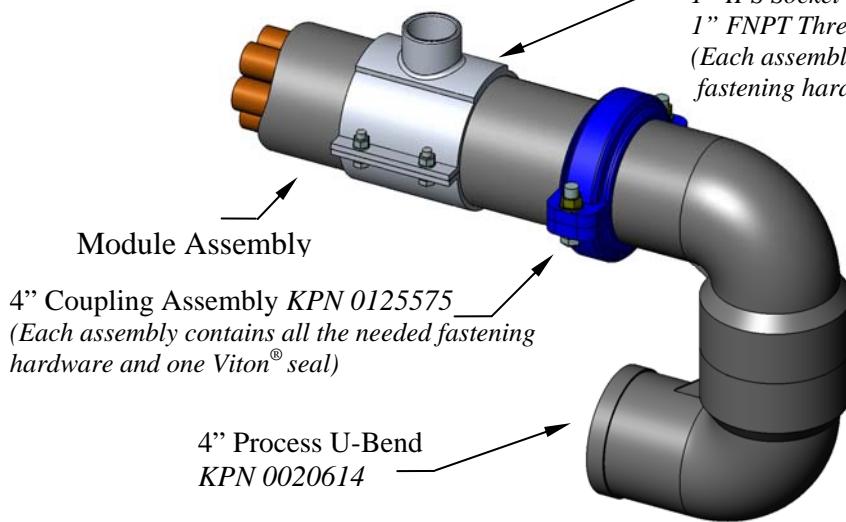
Available in two styles of Permeate Port Saddle:

1" IPS Socket Style Pass Kit KPN 0211875

1" FNPT Threaded Style Pass Kit KPN 0211885



Permeate Port Saddle Assembly
1" IPS Socket Style KPN 0020616
1" FNPT Threaded Style KPN 0020618
(Each assembly contains all the needed fastening hardware and one Viton® o-ring)



MEMBRANE INCOMPATIBILITY

Prior to exposing the membrane to any chemical, the chemical should be reviewed by Koch Membrane Systems. Aside from the listed chemicals below, synthetic coolants, semi-synthetic coolants, kerosenes, naphtha, gasoline, floc polymers may affect membrane performance.

Chemicals that should be avoided include the following:

- Aprotic Solvent (e.g., Dimethyl Formamide, Dimethyl Acetamide, N-Methyl Pyrolidine, etc.)
- Chlorinated Solvents (e.g., Methylene Chloride, Chloroform, Carbon Tetrachloride, etc.)
- Ketones (e.g., Acetone, Diacetone Alcohol, etc.)
- Silicones or Silicone based Defoamers (e.g., Siloxane)

The information contained in this publication is believed to be accurate and reliable, but is not to be construed as implying any warranty or guarantee of performance. We assume no responsibility, obligation or liability for results obtained or damages incurred through the application of the information contained herein. Refer to Standard Terms and Conditions of Sale for additional information.

Koch Membrane Systems, Inc., www.kochmembrane.com

Corporate Headquarters: 850 Main Street, Wilmington, Massachusetts 01887-3388, USA, Tel. Toll Free: 1-888-677-5624, Telephone: 1-978-694-7000, Fax: 1-978-657-5208
European Headquarters: Koch Chemical Technology Group Ltd., The Granary, Telegraph Street, Stafford ST17 4AT, United Kingdom, Telephone: +44-178-527-2500, Fax: +44-178-522-3149

- San Diego, California • Aachen, Germany • Lyon, France • Madrid, Spain • Milan, Italy • Wijnegem, Belgium • Beijing & Shanghai, China • Mumbai, India • Melbourne, Australia • Singapore • Sao Paulo, Brazil • Manama, Kingdom of Bahrain •