

# ROMICON<sup>®</sup> CARTRIDGE: HF 5043-66-45-XM50P

*Industrial Hollow Fiber Ultrafiltration Module For Wastewater Treatment*

## PRODUCT DESCRIPTION

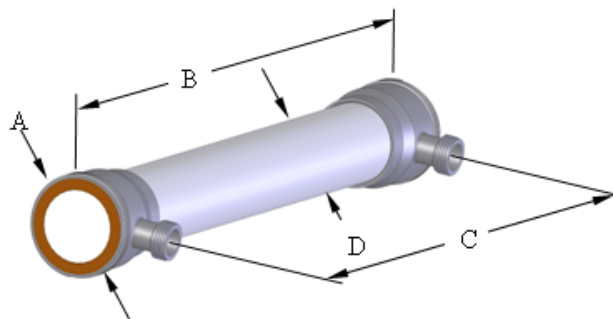
KMS Part Number (KPN):	0720190
Membrane Chemistry:	Acrylonitrile co-polymer
Membrane Type:	XM
Membrane Area:	66 ft <sup>2</sup> (6.1 m <sup>2</sup> )
Molecular Weight Cut-off:	50,000 Dalton (nominal)
Housing Construction:	PVC
Seal:	Epoxy

## OPERATING AND DESIGN INFORMATION\*

Maximum Inlet Pressure:	30 psi @ 77°F (2.1 bar @ 25°C)
Maximum Transmembrane Pressure:	25 psi @ 77°F (2.1 bar @ 25°C)
Maximum Operating Temperature (at pH 8.0):	113°F (45°C)
Maximum Permeate Side Back Pressure:	20 psi (1.4 bar)
Maximum Feed Side Pressure Drop:	25 psi @ 113°F (1.7 bar @ 45°C)
Allowable pH:	1.5 – 13.0 @ 113°F (45°C)

\* Consult Process Technology Group for specific applications

## PRODUCT DIMENSIONS



A	B	C	D	Permeate Connection	Process Connection
inches (mm)	inches (mm)	inches (mm)	inches (mm)		
6.0 (152)	43 (1,092)	38 5/8 (981)	4 13/16 (122)	1 1/2" NPSM	6" NPSM

## MEMBRANE INCOMPATIBILITY

Prior to exposing the membrane to any chemical, the chemical should be reviewed by Koch Membrane Systems. Aside from the listed chemicals below, synthetic coolants, semi-synthetic coolants, kerosenes, naphtha, gasoline, floc polymers may affect membrane performance.

**Chemicals that should be avoided include the following:**

- Aprotic Solvent (e.g., Dimethyl Formamide, Dimethyl Acetamide, N-Methyl Pyrolidine, etc.)
- Chlorinated Solvents (e.g., Methylene Chloride, Chloroform, Carbon Tetrachloride, etc.)
- Ketones (e.g., Acetone, Diacetone Alcohol, etc.)
- Silicones or Silicone based Defoamers (e.g., Siloxane)

## SERVICE AND ONGOING TECHNICAL SUPPORT

Koch Membrane Systems, Inc. has an experienced staff of professionals available to assist end-users and OEMs for optimization of existing systems and support the development of new applications. Along with the availability of supplemental technical bulletins, Koch Membrane Systems, Inc. also offers a complete line of KOCHKLEEN® cleaning chemicals.

*The information contained in this publication is believed to be accurate and reliable, but is not to be construed as implying any warranty or guarantee of performance. We assume no responsibility, obligation or liability for results obtained or damages incurred through the application of the information contained herein. Refer to Standard Terms and Conditions of Sale and Performance Warranty documentation for additional information.*

---

Koch Membrane Systems, Inc., [www.kochmembrane.com](http://www.kochmembrane.com)

**Corporate Headquarters:** 850 Main Street, Wilmington, Massachusetts 01887-3388, US, Tel. Toll Free: 1-888-677-5624, Telephone: 1-978-694-7000, Fax: 1-978-657-5208

**European Headquarters:** Koch Chemical Technology Group Ltd., Units 3-6, Frank Foley Way, Stafford ST16 2ST, GB, Telephone: +44-178-527-2500, Fax: +44-178-522-3149

• San Diego US • Aachen DE • Lyon FR • Madrid ES • Milan IT • Wijnegem BE • Beijing & Shanghai CN • Mumbai & Chennai IN • Melbourne & Sydney AU • SG • Sao Paulo BR • Manama BH •

The FLOW LINES DESIGN, KOCHKLEEN and ROMICON are registered trademarks of Koch Membrane Systems, Inc. in the US and other countries.

The STYLIZED K is a registered trademark of Koch Industries, Inc. in the US and other countries.

Koch Membrane Systems, Inc. is a Koch Chemical Technology Group, LLC company.

© 2010 Koch Membrane Systems, Inc. All rights reserved worldwide. 02/10